

II II II II
PRIOR ART

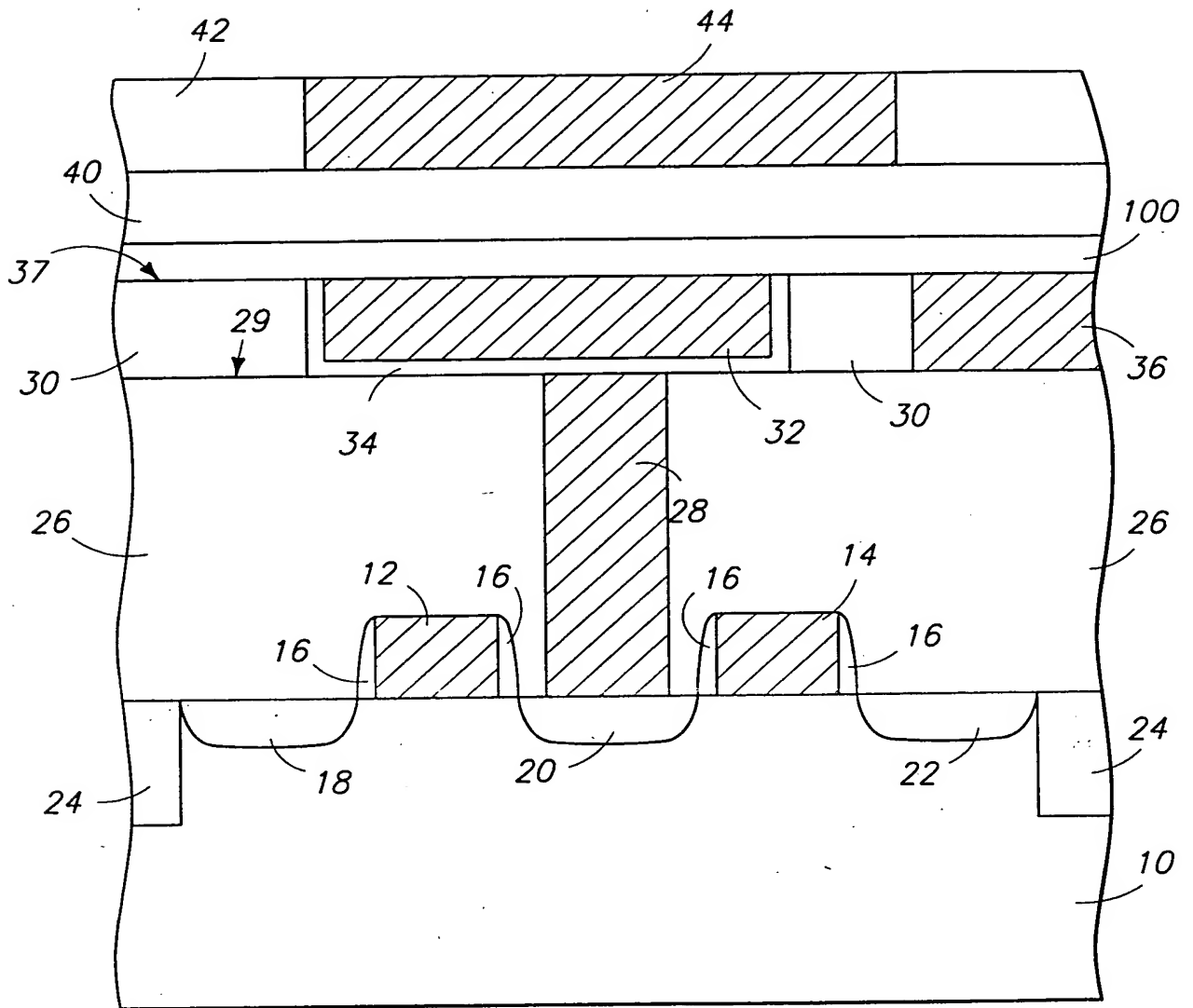


FIG. 2

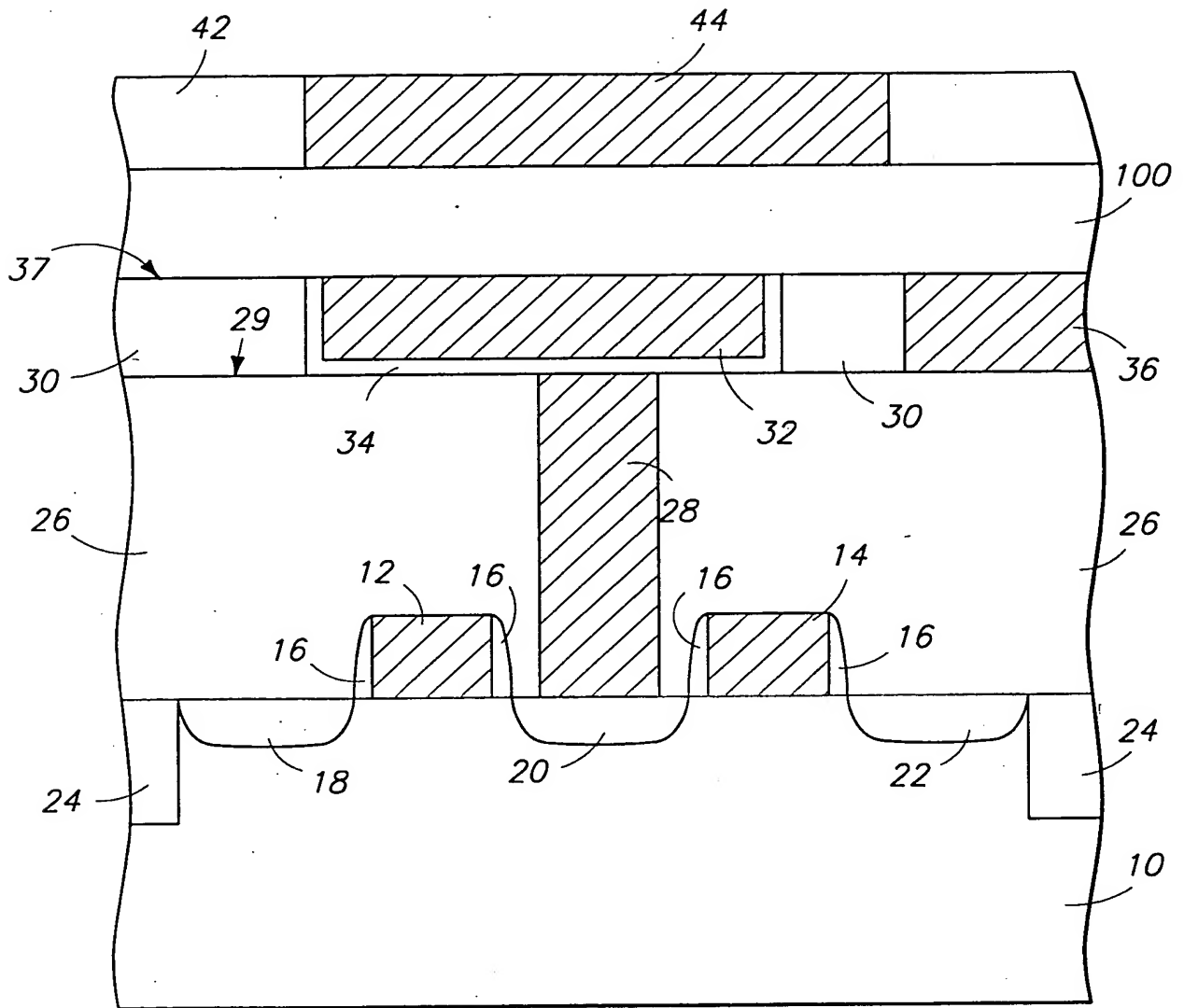


FIG. 3